



上海启庞实业有限公司

Shanghai Qi Pang Industrial Co.,LTD

TEL:+8617317724892
Email:suzhouqp@yeah.net

电线电缆设备专业制造商
Professional Manufacturer of Wire and Cable Equipment

产品介绍

Product Presentation

QP系列计米器适用于对电线电缆、钢丝绳、胶管、钢管、不锈钢管、线材等产品进行在线测量。本系列产品具备精度高、计米速度快、误差率低等显著优点。

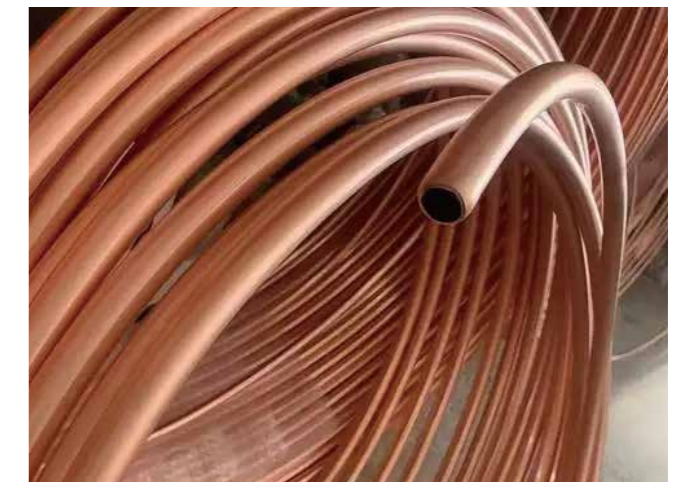
QP系列计米器设计科学合理,加工精度颇高且性能稳定可靠,能够为您提供极为精准的长度测量服务,进而降低您的生产成本,彻底避免产品因测量不准而出现计量长米数或短米数的情况,具有成本低、投资回报快的优势。

The QP Series Length Counters are suitable for on-line measurement of wires, cables, steel wire ropes, hoses, steel pipes, stainless steel pipes, wire rods and other products. This series boasts prominent advantages such as high precision, fast length-counting speed and low error rate. With scientific and reasonable design, high processing accuracy and stable and reliable performance.

The QP Series Length Counters can provide you with extremely accurate length measurement services, thereby reducing your production costs and completely avoiding over-length or under-length issues caused by inaccurate measurement. It features low cost and quick return on investment.



你还在为这些材质计米不准而烦恼吗?





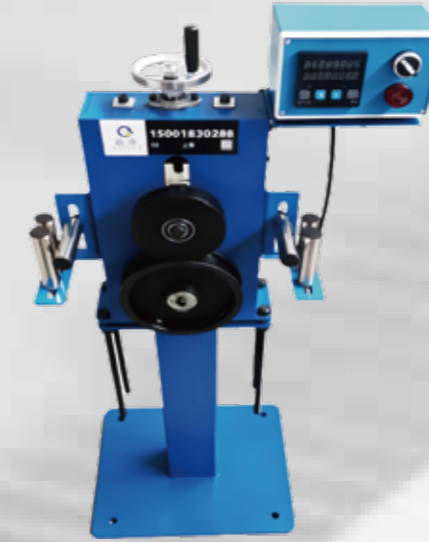
QP-25L计米器
QP-25L Length Meter Counter



QP-30L计米器
QP-30L Length Meter Counter



QP-30成圈机专用计米器
QP-30 Length Meter Counter
for Take-up Machine



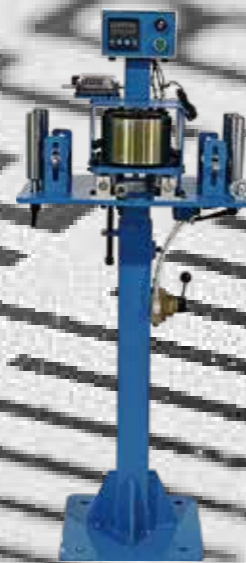
QP-30钢丝绳专用计米器
QP-30 Length Meter Counter
for Wire Rope



QP-80L 喷墨计米器
QP-80L Length Meter Counter
for Inkjet Printer



QP-60W计米器
QP-60W Length Meter Counter



QP-80W计米器
QP-80W Length Meter Counter



QP-120W计米器
QP-120W Length Meter Counter



QP-45L计米器
QP-45L Length Meter Counter



QP-75L计米器
QP-75L Length Meter Counter



滚轮计米器系列

Roller Length Meter Counter

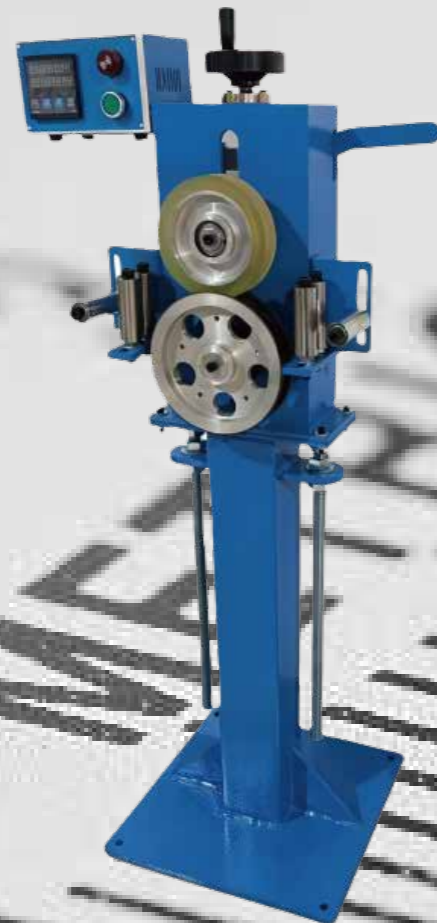
TEL:+8617317724892 Email:suzhouqp@yeah.net

电线电缆设备专业制造商

Professional Manufacturer of Wire and Cable Equipment



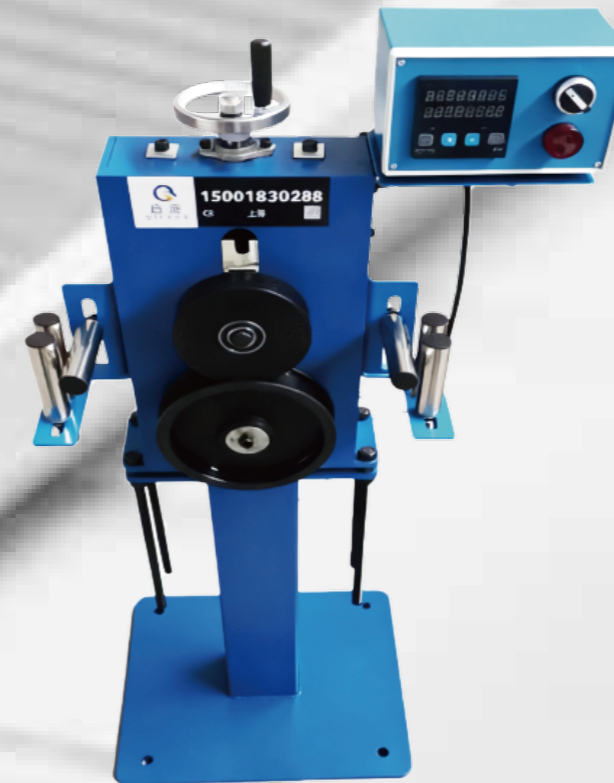
QP-25L计米器
QP-25L Length Meter Counter



QP-30L计米器
QP-30L Length Meter Counter



QP-30成圈机专用计米器
QP-30 Length Meter Counter
for Take-up Machine



QP-30钢丝绳专用计米器
QP-30 Length Meter Counter
for Wire Rope



QP-80L 喷墨计米器
QP-80L Length Meter Counter
for Inkjet Printer

滚轮计米器

Roller Length Meter Counter

TEL:+8617317724892 Email:suzhouqp@yeah.net www.rollingringdrives.com

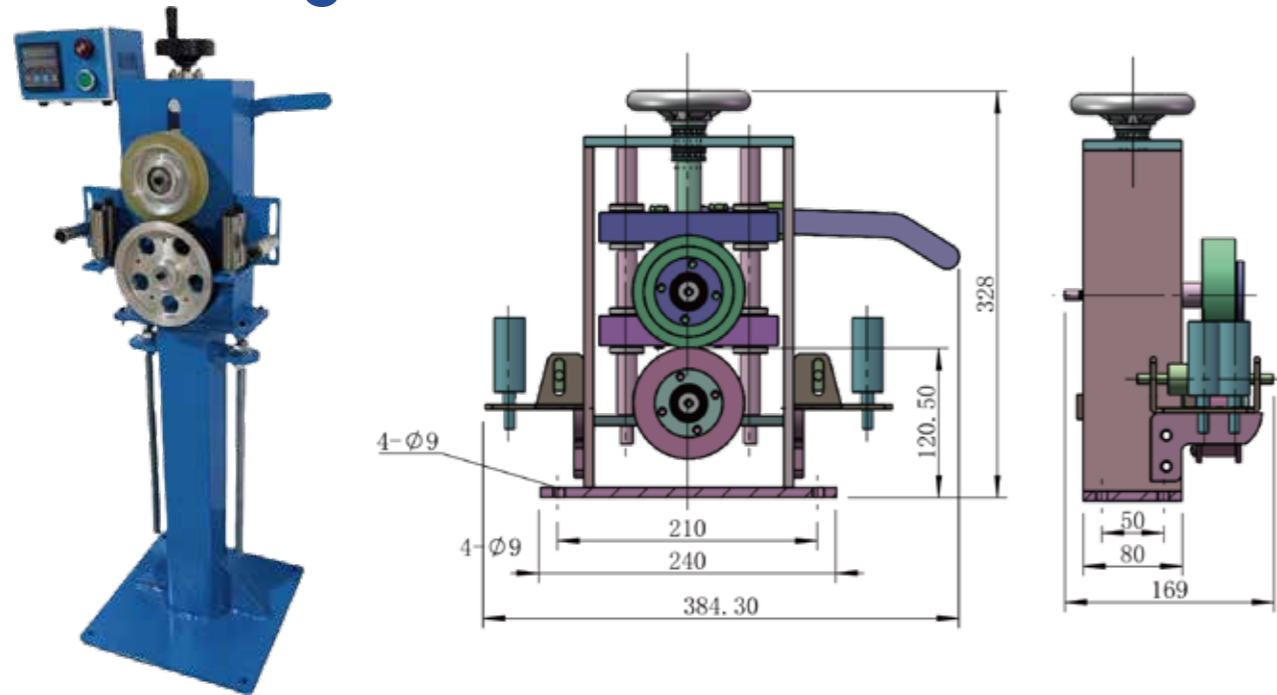
电线电缆设备专业制造商

Professional Manufacturer of Wire and Cable Equipment

型号 Model	QP-30L计米器 Meter counter	QP-30计米器 Meter counter	QP-25L计米器 Meter counter	QP-80L喷墨计米器 Meter counter for Inkjet Printer	QP-60L计米器 Meter counter
特性 Features	2圈1米 2 coils 1 meter	钢丝绳专用计米器 2圈1米 Meter Counter for Wire Rope 2 coils, 1 meter	4圈1米 4 coils, 1 meter	1圈1米 1 coils, 1 meter	2圈1米 2 coils, 1 meter
适用线径 Wire diameter	1mm-30mm	1mm-30mm	0.1mm-25mm	1mm-80mm	2mm-60mm
适用线速度 Applicable wire speed	0-200M/Min	0-200M/Min	0-200M/Min	0-400M/Min	0-150M/Min
中心高度 Center height	900-1100mm(中心高度可调) (Center height adjustable)				950-1050mm (中心高度可调) (Center height adjustable)
计米轮材质 Material of meter wheel	胶轮+喷瓷轮传动 Rubber Wheel Ceramic- Coated Wheel Drive	上下采用钢轮 Uses steel wheels on both top and bottom	胶轮+喷瓷轮传动 Rubber Wheel Ceramic- Coated Wheel Drive	铝合金表面镀阳处理 Aluminum alloy surface anodizing	钢 Steel
计米轮直径 Diameter of the meter wheel	φ159.16mm±0.01	φ159.16mm±0.01	φ79.48mm±0.01	φ318.3mm±0.01	φ159.16mm±0.01
计米精度 Meter accuracy	复绕Rewinding2‰、绞线twisted wire2‰、挤出extrusion1.5‰			千分之三 3‰	复绕Rewinding2‰、 绞线twisted wire2‰、 挤出extrusion1.5‰
可计长度 Countable length	0-99999.9M				
压紧方式 Compression method	压杆/手轮两用 Dual-purpose: Pressure Rod/Handwheel	手轮 Dual-purpose	压杆/手轮两用 Dual-purpose: Pressure Rod/Handwheel	手轮/弹簧压紧 Handwheel/ Spring Clamping	手动丝杠压紧 Manual screw clamping
产品结构 Product Structure	弹簧垂直压紧 Spring vertical pressing			上下双轮 Upper and lower double wheels	垂直压紧 Vertical compression
计数方式 Counting Method	默认接近开关感应 (可选编码器, 机械计米表) Inductive Sensor (optional encoder)	接近开关感应 (可选编码器) Inductive Sensor (optional encoder)	接近开关感应 Inductive Sensor	电子计米 Electronic meter counter	接近开关感应 (可选编码器, 机械计米表) Inductive Sensor (optional encoder, mechanical version)
信号输出 Output	RS485 (可选) (Optional)				
设备颜色 Device Color	5015蓝(其他可订制)5015 Blue (Other customizable options)				
工作电压 Working voltage	220V AC			220V380V 50/60HZ	220V AC
设备重量 Equipment weight	计米台主机25KG+支架25KG Meter counter main unit 25KG + bracket 25KG	计米台主机26KG+支架25KG Meter counter main unit 26KG + bracket 25KG	计米台主机13KG+支架25KG Meter counter main unit 13KG +bracket 25KG	计米台主机82KG Meter counter main unit 82KG	计米台主机40KG+支架25KG Meter counter main unit 40KG+bracket 25KG
设备包装尺寸 Packing size	L480*W280*H250mm计米台 Meter counter main unit L370*W370*H680mm支架 bracket	L480*W280*H250mm计米台 Meter counter main unit L370*W370*H680mm支架 bracket	L530*W420*H480mm计米台 Meter counter main unit L350*W350*H860mm支架 bracket	L680*W480*H1300mm	L660*W550*H500mm计米台 Meter counter main unit L350*W350*H830mm支架 bracket

QP-30L滚轮计米器

QP-30L Length Meter Counter



型号	Model	QP-30L
特性	Features	2圈1米 2 coils 1 meter
适用线径	Wire diameter	1mm-30mm
适用线速度	Applicable wire speed	0-200M/Min
中心高度	Center height	900-1100mm(中心高度可调)(Center height adjustable)
计米轮材质	Material of meter wheel	胶轮+喷瓷轮传动 Rubber Wheel Ceramic-Coated Wheel Drive
计米轮直径	Diameter of the meter wheel	φ159.16mm±0.01
计米精度	Meter accuracy	复绕2‰、绞线2‰、挤出1.5‰ Rewinding2‰、twisted wire2‰、extrusion1.5‰
可计长度	Countable length	0-99999.9M
压紧方式	Compression method	压杆/手轮两用 Dual-purpose: Pressure Rod/Handwheel
产品结构	Product Structure	弹簧垂直压紧 Spring vertical pressing
计数方式	Counting Method	默认接近开关感应 (可选编码器, 机械计米表) Inductive Sensor (optional encoder)
信号输出	Signal output	RS485 (可选) (Optional)
设备颜色	Device Color	5015蓝(其他可订制)5015 Blue (Other customizable options)
工作电压	Working voltage	220V AC
设备重量	Equipment weight	计米台主机25KG+支架25KG Meter counter main unit 25KG+bracket 25KG
设备包装尺寸	Packing size	L480*W280*H250mm计米台 Meter counter main unit L370*W370*H680mm支架 bracket

QP-30滚轮计米器

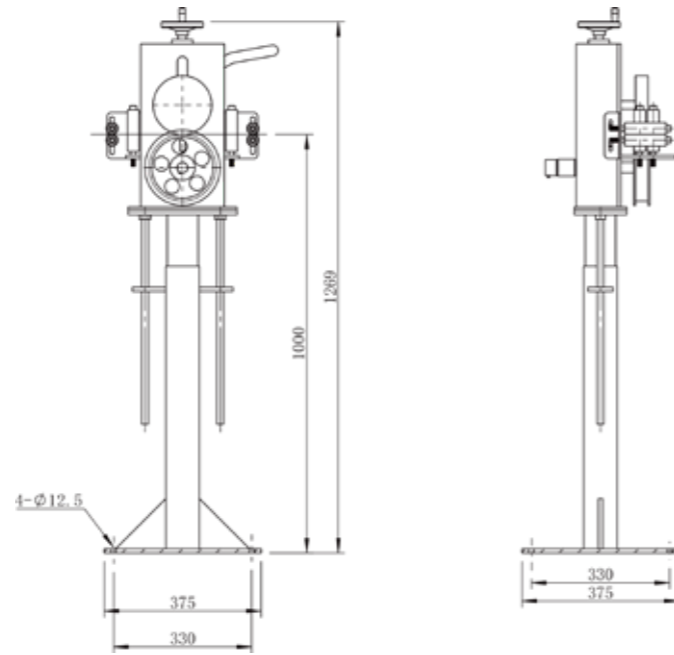
QP-30 Length Meter Counter



型号	Model	QP-30
特性	Features	钢丝绳专用计米器 2圈1米 Meter Counter for Wire Rope 2 coils, 1 meter
适用线径	Wire diameter	1mm-30mm
适用线速度	Applicable wire speed	0-200M/Min
中心高度	Center height	900-1100mm(中心高度可调)(Center height adjustable)
计米轮材质	Material of meter wheel	上下采用钢轮 Uses steel wheels on both top and bottom
计米轮直径	Diameter of the meter wheel	φ159.16mm±0.01
计米精度	Meter accuracy	复绕2‰、绞线2‰、挤出1.5‰ Rewinding2‰、twisted wire2‰、extrusion1.5‰
可计长度	Countable length	0-99999.9M
压紧方式	Compression method	手轮 Handwheel
产品结构	Product Structure	弹簧垂直压紧 Spring vertical pressing
计数方式	Counting Method	接近开关感应 (可选编码器) Inductive Sensor (optional encoder)
信号输出	Signal output	RS485 (可选) (Optional)
设备颜色	Device Color	5015蓝(其他可订制)5015 Blue (Other customizable options)
工作电压	Working voltage	220V AC
设备重量	Equipment weight	计米台主机26KG+支架25KG Meter counter main unit 26KG+bracket 25KG
设备包装尺寸	Packing size	L480*W280*H250mm计米台 Meter counter main unit L370*W370*H680mm支架 bracket

QP-25L滚轮计米器

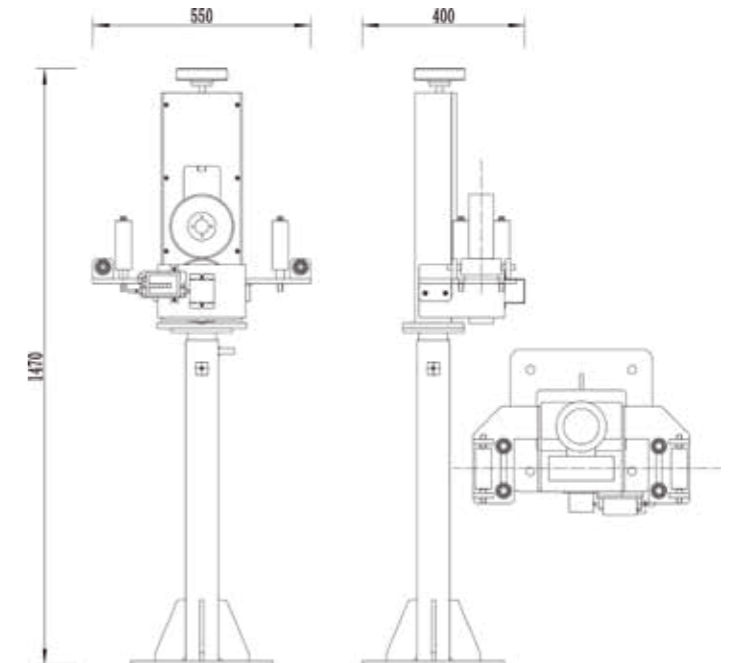
QP-25L Length Meter Counter



型号	Model	QP-25L
特性	Features	4圈1米 4 coils, 1 meter
适用线径	Wire diameter	0.1mm-25mm
适用线速度	Applicable wire speed	0-200M/Min
中心高度	Center height	900-1100mm(中心高度可调)(Center height adjustable)
计米轮材质	Material of meter wheel	胶轮+喷瓷轮传动 Rubber Wheel Ceramic-Coated Wheel Drive
计米轮直径	Diameter of the meter wheel	φ79.48mm±0.01
计米精度	Meter accuracy	复绕2‰、绞线2‰、挤出1.5‰ Rewinding2‰、twisted wire2‰、extrusion1.5‰
可计长度	Countable length	0-99999.9M
压紧方式	Compression method	压杆/手轮两用 Dual-purpose: Pressure Rod/Handwheel
产品结构	Product Structure	弹簧垂直压紧 Spring vertical pressing
计数方式	Counting Method	接近开关感应 Inductive Sensor
信号输出	Signal output	RS485 (可选) (Optional)
设备颜色	Device Color	5015蓝(其他可订制)5015 Blue (Other customizable options)
工作电压	Working voltage	220V AC
设备重量	Equipment weight	计米台主机13KG+支架25KG Meter counter main unit 13KG+bracket 25KG
设备包装尺寸	Packing size	L530*W420*H480mm计米台 Meter counter main unit L350*W350*H860mm 支架 bracket

QP-60L滚轮计米器

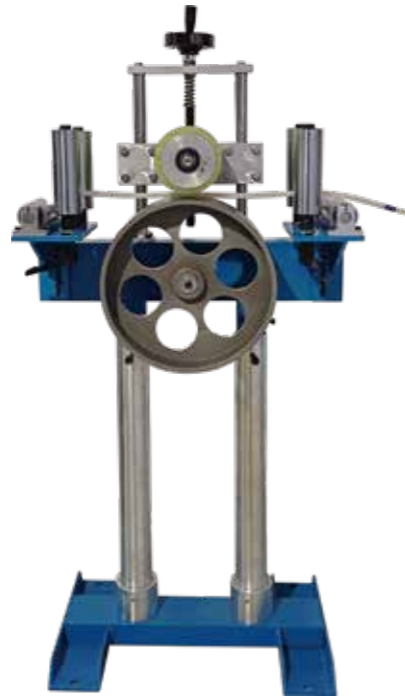
QP-60L Length Meter Counter



型号	Model	QP-60L
特性	Features	2圈1米 2 coils, 1 meter
适用线径	Wire diameter	2mm-60mm
适用线速度	Applicable wire speed	0-150M/Min
中心高度	Center height	950-1050mm(中心高度可调)(Center height adjustable)
计米轮材质	Material of meter wheel	钢 Steel
计米轮直径	Diameter of the meter wheel	φ159.16mm±0.01
计米精度	Meter accuracy	复绕2‰、绞线2‰、挤出1.5‰ Rewinding2‰、twisted wire2‰、extrusion1.5‰
可计长度	Countable length	0-99999.9M
压紧方式	Compression method	手动丝杠压紧 Manual screw clamping
产品结构	Product Structure	垂直压紧 Vertical compression
计数方式	Counting Method	接近开关感应 (可选编码器, 机械计米表) Inductive Sensor (optional encoder, mechanical version)
信号输出	Signal output	RS485 (可选) (Optional)
设备颜色	Device Color	5015蓝(其他可订制)5015 Blue (Other customizable options)
工作电压	Working voltage	220V AC
设备重量	Equipment weight	计米台主机40KG+支架25KG Meter counter main unit 40KG+bracket 25KG
设备包装尺寸	Packing size	L660*W550*H500mm计米台 Meter counter main unit L350*W350*H830mm 支架 bracket

QP-80L滚轮计米器

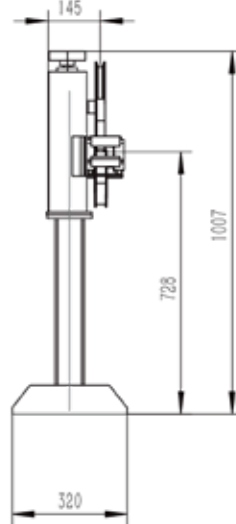
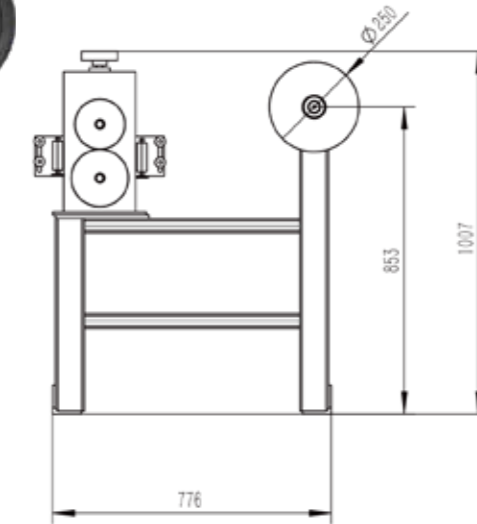
QP-80L Length Meter Counter



型号	Model	QP-80L喷墨计米器
特性	Features	1圈1米 1 coils, 1 meter
适用线径	Wire diameter	1mm-80mm
适用线速度	Applicable wire speed	0-400M/Min
中心高度	Center height	900-1100mm(中心高度可调)(Center height adjustable)
计米轮材质	Material of meter wheel	铝合金表面镀阳处理 Aluminum alloy surface anodizing
计米轮直径	Diameter of the meter wheel	φ318.3mm±0.01
计米精度	Meter accuracy	千分之三 3‰
可计长度	Countable length	0-99999.9M
压紧方式	Compression method	手轮/弹簧压紧 Handwheel/Spring Clamping
产品结构	Product Structure	上下双轮 Upper and lower double wheels
计数方式	Counting Method	电子计米 Electronic meter counter
信号输出	Signal output	RS485 (可选) (Optional)
设备颜色	Device Color	5015蓝(其他可订制)5015 Blue (Other customizable options)
工作电压	Working voltage	220V380V 50/60HZ
设备重量	Equipment weight	计米台主机82KG Meter counter main unit 82KG
设备包装尺寸	Packing size	L680*W480*H1300mm

QP-30滚轮计米器

QP-30 Length Meter Counter



型号	Model	QP-30成圈机专用计米器
特性	Features	2圈1米 2 coils 1 meter
适用线径	Wire diameter	1mm-30mm
适用线速度	Applicable wire speed	0-200M/Min
中心高度	Center height	728mm(中心高度可调)(Center height adjustable)
计米轮材质	Material of meter wheel	胶轮+喷瓷轮传动 Rubber Wheel Ceramic-Coated Wheel Drive
计米轮直径	Diameter of the meter wheel	φ159.15mm±0.01
计米精度	Meter accuracy	复绕2‰、绞线2‰、挤出1.5‰ Rewinding2‰、twisted wire2‰、extrusion1.5‰
可计长度	Countable length	0-99999.9M
压紧方式	Compression method	压杆/手轮两用 Dual-purpose: Pressure Rod/Handwheel
产品结构	Product Structure	弹簧垂直压紧 Spring vertical pressing
计数方式	Counting Method	默认接近开关感应 (可选编码器) Inductive Sensor (optional encoder)
信号输出	Signal output	RS485 (可选) (Optional)
设备颜色	Device Color	5015蓝(其他可订制)5015 Blue (Other customizable options)
工作电压	Working voltage	220V AC
设备重量	Equipment weight	计米台主机25KG+支架32KG Meter counter main unit 25KG+ bracket 32KG
设备包装尺寸	Packing size	L480*W280*H250mm计米台 Meter counter main unit Lmm800*W370mm*H853mm支架 bracket



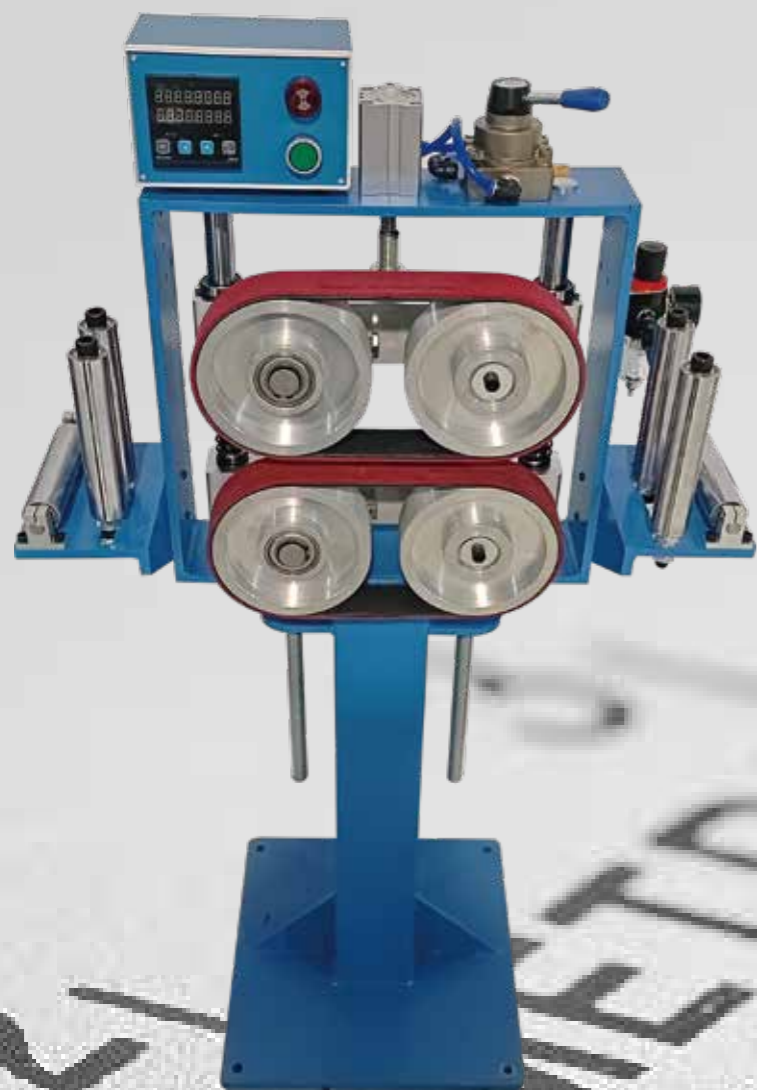
履带计米器系列

Track-type Length Counter Series

TEL:+8617317724892 Email:suzhouqp@yeah.net

电线电缆设备专业制造商

Professional Manufacturer of Wire and Cable Equipment



QP-45L计米器
QP-45L Length Meter Counter



QP-75L计米器
QP-75L Length Meter Counter



QP-30L计米器
QP-30L Length Meter Counter

履带计米器

Track Belt Length Meter Counter

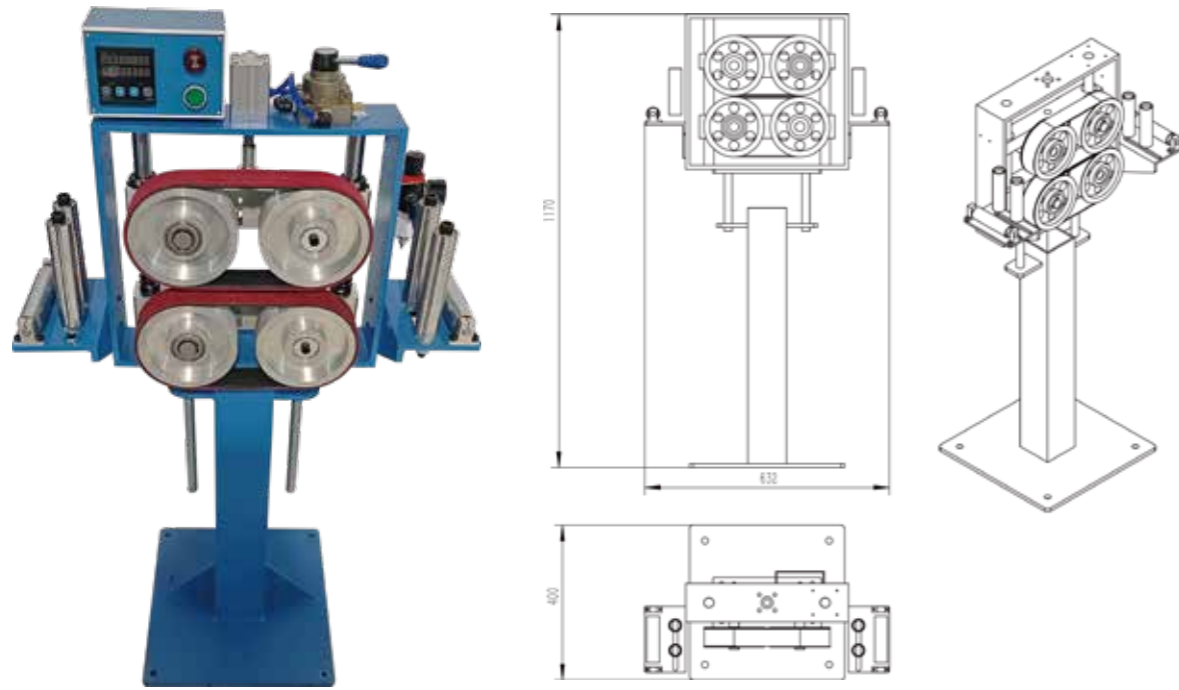
TEL:+8617317724892 Email:suzhouqp@yeah.net www.rollingringdrives.com

电线电缆设备专业制造商
Professional Manufacturer of Wire and Cable Equipment

型号 Model	QP-45L	QP-75L	QP-140L	QP-30L
适用线径 Applicable wire diameter	1mm-45mm	5mm-75mm	5mm-140mm	1mm-30mm
适用线速度 Applicable linear speed	0-300M/Min	0-300M/Min	0-120M/Min	0-200M/Min
中心高度 Center height	850-1050mm(Center height adjustable)			
计米方式 Measuring length type	多契带传动-耐磨 Poly-v Belt Drive - Wear Resistant	履带传动-平皮带 Tracked Drive - Flat Belt	履带传动-平皮带 Tracked Drive - Flat Belt	履带传动 Tracked Drive
同步轮参数 Synchronous wheel parameters	同步带轮宽度40MM, 外径159.15MM Synchronous belt pulley width 51MM, OD 159.15MM"	同步带轮宽度81MM, 外径159.15MM Synchronous belt pulley width 81MM, OD 159.15MM	同步带轮宽度150MM, 外径159.15MM Synchronous belt pulley width 150MM, OD 159.15MM	5M*50*30
计米精度 Meter accuracy	复绕Rewinding2‰、绞线twisted wire2‰、挤出extrusion1.5‰。			
可计长度 Countable length	0-99999.9M			
压紧方式 Compression method	气缸/手轮 Cylinder/Handwheel			弹簧/手轮 Spring/Handwheel
计数方式 Counting Method	编码器 Encoder			
信号输出 Signal output	RS485 (可选) (Optional)			
设备颜色 Device Color	5015蓝(其他可订制)5015 Blue (Other customizable options)			
工作电压 Working voltage	220V AC			
设备重量 Machine weight	计米台主机41KG+支架26.5KG Meter counter main unit 41KG+Bracket 26.5KG	计米台48KG+支架23KG Meter counter main unit 48KG+Bracket 23KG	计米台75KG+支架25KG Meter counter main unit 75KG+Bracket 25KG	计米台14KG+支架18KG Meter counter main unit 14KG+Bracket 18KG
设备包装尺寸 Packing size	L550*W520*H280mm(计米台主机) Meter counter main unit L400*W400*H680mm(支架)Bracket	L550*W520*H280mm(计米台主机) Meter counter main unit L400*W400*H680mm(支架) Bracket	L650*W600*H350mm(计米台主机) Meter counter main unit L650*W650*H720mm(支架)Bracket	L480*W280*H250mm(计米台主机) Meter counter main unit L500*W300*H1200mm (支架) Bracket

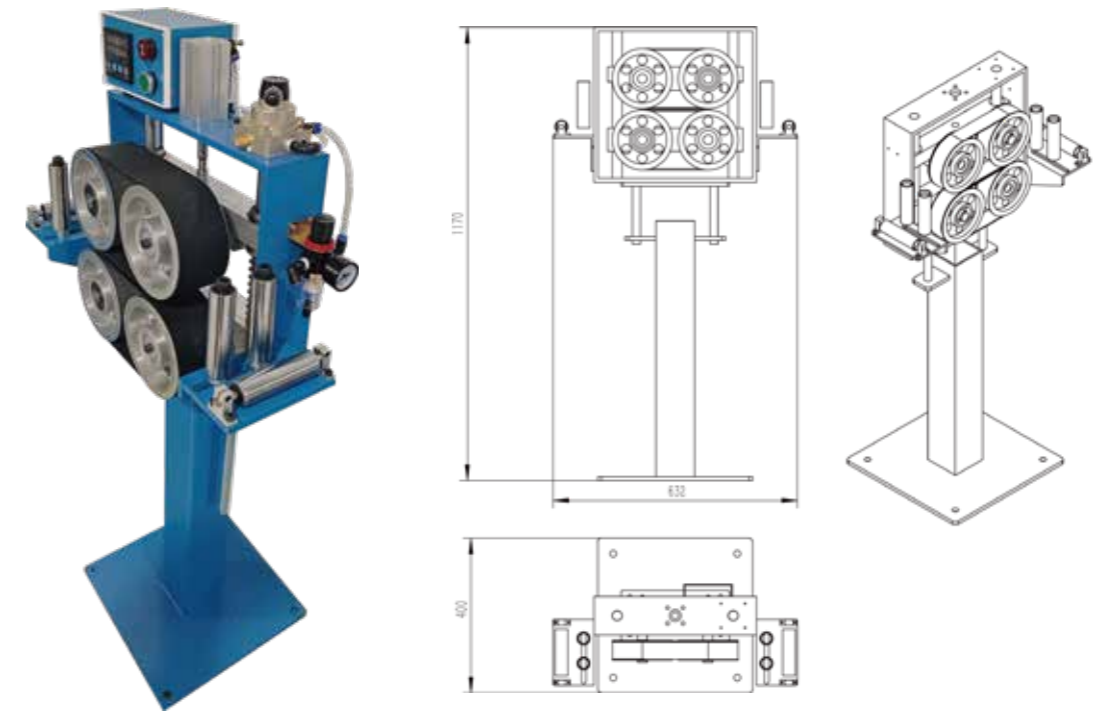
QP-45L履带计米器

QP-45L Length Meter Counter



QP-75L履带计米器

QP-75L Length Meter Counter



型号	Model	QP-45L
适用线径	Wire diameter	1mm-45mm
适用线速度	Speed	0-300M/Min
中心高度	Center height	850-1050mm(Center height adjustable)
计米方式	Measuring length type	多契带传动-耐磨 Poly-v Belt Drive - Wear Resistant
同步轮参数	Synchronous wheel parameters	同步带轮宽度40MM,外径159.15MM Synchronous belt pulley width 51MM, OD 159.15MM"
计米精度	Meter accuracy	复绕2‰、绞线2‰、挤出1.5‰ Rewinding 2‰、twisted wire 2‰、extrusion 1.5‰
可计长度	Countable length	0-9999.9M
压紧方式	Compression method	气缸/手轮 Cylinder/Handwheel
计数方式	Counting Method	编码器 Encoder
信号输出	Signal output	RS485 (可选) (Optional)
设备颜色	Device Color	5015蓝(其他可订制)5015 Blue (Other customizable options)
工作电压	Working voltage	220V AC
设备重量	Equipment weight	计米台主机41KG+支架26.5KG Meter counter main unit 41KG+Bracket 26.5KG
设备包装尺寸	Packing size	L550*W520*H280mm计米台 Meter counter main unit L400*W400*H680mm(支架)Bracket

型号	Model	QP-75L
适用线径	Wire diameter	5mm-75mm
适用线速度	Speed	0-300M/Min
中心高度	Center height	850-1050mm(Center height adjustable)
计米方式	Measuring length type	履带传动-平皮带 Tracked Drive - Flat Belt
同步轮参数	Synchronous wheel parameters	同步带轮宽度81MM, 外径159.15MM Synchronous belt pulley width 81MM, OD 159.15MM
计米精度	Meter accuracy	复绕2‰、绞线2‰、挤出1.5‰ Rewinding 2‰、twisted wire 2‰、extrusion 1.5‰
可计长度	Countable length	0-9999.9M
压紧方式	Compression method	气缸/手轮 Cylinder/Handwheel
计数方式	Counting Method	编码器 Encoder
信号输出	Signal output	RS485 (可选) (Optional)
设备颜色	Device Color	5015蓝(其他可订制)5015 Blue (Other customizable options)
工作电压	Working voltage	220V AC
设备重量	Equipment weight	计米台主机48KG+支架23KG Meter counter main unit 48KG+Bracket 23KG
设备包装尺寸	Packing size	L550*W520*H280mm(计米台) Meter counter main unit L400*W400*H680mm(支架) Bracket

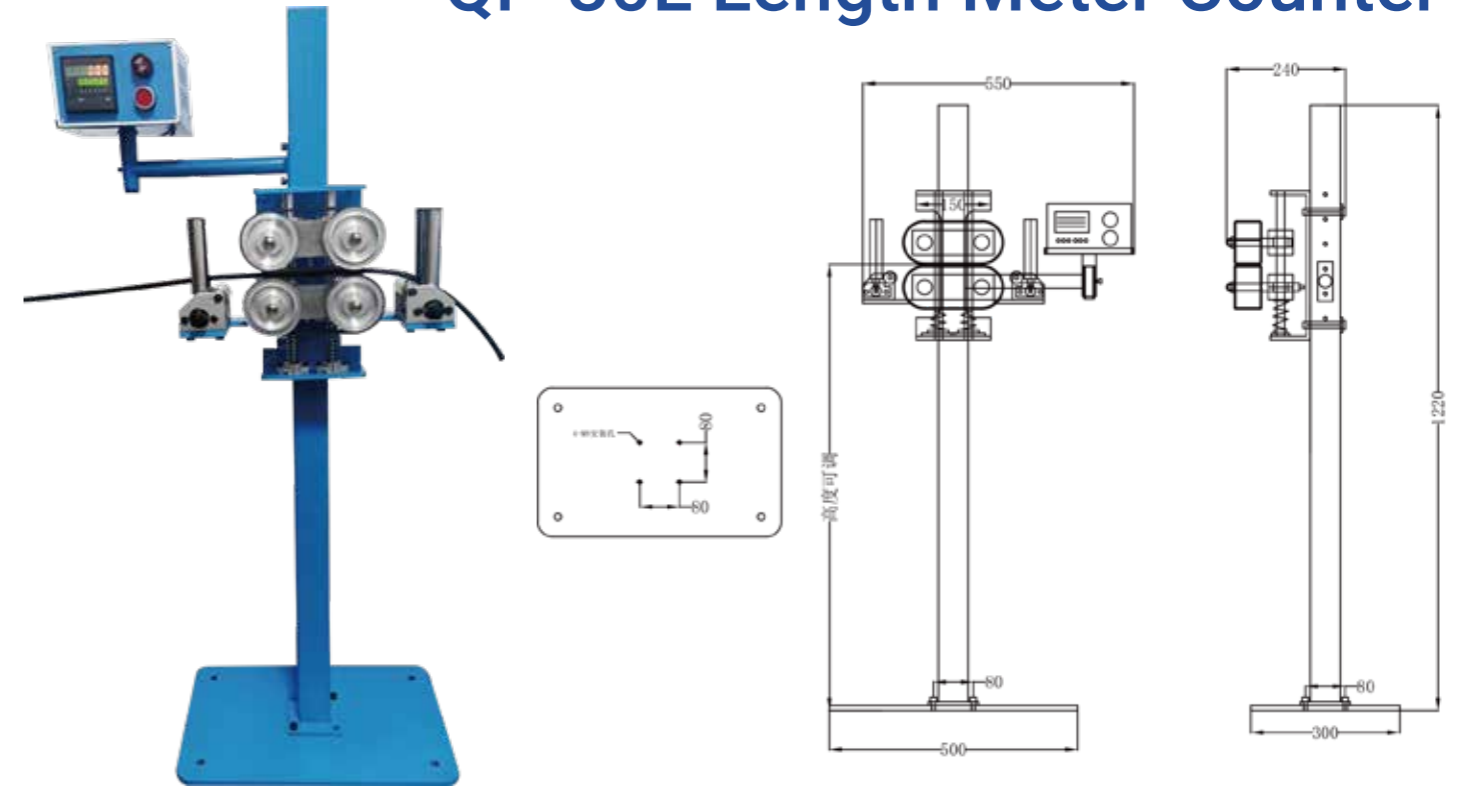
QP-140L履带计米器

QP-140L Length Meter Counter



QP-30L履带计米器

QP-30L Length Meter Counter



型号	Model	QP-140L
适用线径	Wire diameter	5mm-140mm
适用线速度	Speed	0-120M/Min
中心高度	Center height	850-1050mm(Center height adjustable)
计米方式	Measuring length type	履带传动-平皮带 Tracked Drive - Flat Belt
同步轮参数	Synchronous wheel parameters	同步带轮宽度150MM, 外径159.15MM Synchronous belt pulley width 150MM, OD 159.15MM
计米精度	Meter accuracy	复绕2‰、绞线2‰、挤出1.5‰ Rewinding2‰、twisted wire2‰、extrusion1.5‰
可计长度	Countable length	0-9999.9M
压紧方式	Compression method	气缸/手轮 Cylinder/Handwheel
计数方式	Counting Method	编码器 Encoder
信号输出	Signal output	RS485 (可选) (Optional)
设备颜色	Device Color	5015蓝(其他可订制)5015 Blue (Other customizable options)
工作电压	Working voltage	220V AC
设备重量	Equipment weight	计米台主机75KG+支架25KG Meter counter main unit 75KG+Bracket 25KG
设备包装尺寸	Packing size	L650*W600*H350mm(计米台) Meter counter main unit L650*W650*H720mm(支架)Bracket

型号	Model	QP-30L
适用线径	Wire diameter	1mm-30mm
适用线速度	Speed	0-300M/Min
中心高度	Center height	850-1050mm(Center height adjustable)
计米方式	Measuring length type	履带传动 Tracked Drive
同步轮参数	Synchronous wheel parameters	5M*50*30
计米精度	Meter accuracy	复绕2‰、绞线2‰、挤出1.5‰ Rewinding2‰、twisted wire2‰、extrusion1.5‰
可计长度	Countable length	0-9999.9M
压紧方式	Compression method	弹簧/手轮 Spring/Handwheel
计数方式	Counting Method	编码器 Encoder
信号输出	Signal output	RS485 (可选) (Optional)
设备颜色	Device Color	5015蓝(其他可订制)5015 Blue (Other customizable options)
工作电压	Working voltage	220V AC
设备重量	Equipment weight	计米台主机14KG+支架18KG Meter counter main unit 14KG+Bracket 18KG
设备包装尺寸	Packing size	L480*W280*H250mm (计米台) Meter counter main unit L500*W300*H1200mm (支架) Bracket



机械计米器系列

Mechanical Length Counter Series

TEL:+8617317724892 Email:suzhouqp@yeah.net

电线电缆设备专业制造商

Professional Manufacturer of Wire and Cable Equipment



QP-60W计米器
QP-60W Length Meter Counter



QP-80W计米器
QP-80W Length Meter Counter



QP-120W计米器
QP-120W Length Meter Counter

机械计米器

Mechanical Length meter counter

TEL:+8617317724892 Email:suzhouqp@yeah.net www.rollingringdrives.com

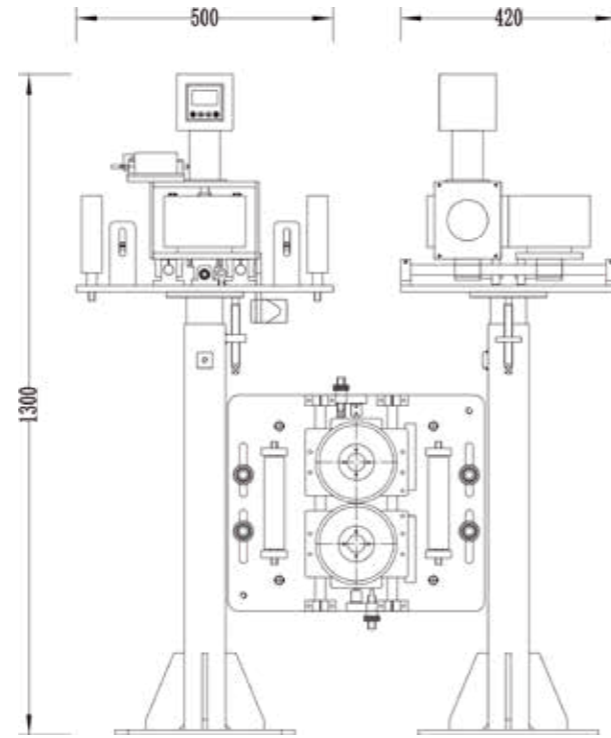
电线电缆设备专业制造商

Professional Manufacturer of Wire and Cable Equipment

型号 Model	QP-80W	QP-120W	QP-220W	QP-60W
适用线径 Wire diameter	1mm-80mm	2mm-120mm	4mm-220mm	1mm-60mm/80mm
适用线速度 Speed	0-200M/Min	0-200M/Min	0-50M/Min	0-200M/Min
中心高度 Center height	900-1100mm(中心高度可调) (Center height adjustable)			
计米轮材质 Material of meter wheel	PF/钢PF/Steel (可选聚氨酯轮) Optional polyurethane wheels			
计米轮直径 Diameter of the meter wheel	φ159.16mm±0.01		计米轮周长500mm Meter wheel circumference 500mm	φ159.16mm±0.01
计米精度 Meter accuracy	复绕2‰、绞线2‰、挤出1.5‰ Rewinding2‰、twisted wire2‰、extrusion1.5‰			
可计长度 Countable length	0-99999.9M			0-9999.9M
压紧方式 Compression method	弹簧压紧/气缸开合 Spring tightening / cylinder opening and closing			计米轮压紧 Meter wheel tightening
产品结构 Product Structure	卧式水平压紧 Horizontal tightening			立式压紧 Vertical tightening
计数方式 Counting Method	接近开关感应(计米系数可调) Proximity switch sensing (meter counting coefficient adjustable)			机械计数表 Mechanical counter
信号输出 Output	RS485 (可选) (Optional)			
设备颜色 Device Color	5015蓝(其他可订制)5015 Blue			
工作电压 Working voltage	220V AC			
设备重量 Equipment weight	计米台主机47KG+支架20KG Meter counter main unit 47KG +Bracket 20KG	计米台主机50KG+支架22KG Meter counter main unit 50KG +Bracket 22KG	计米台主机70KG+支架24KG Meter counter main unit 70KG +Bracket 24KG	计米台主机23KG Meter counter main unit 23KG
设备包装尺寸 Packing size	计米台L530*W420* H300mm Meter counter main unit L350* W350* H860mm 支架Bracket	计米台L530* W420* H300mm Meter counter main unit L350* W350*H860mm 支架Bracket	计米台L530*W420*H480mm Meter counter main unit L350*W350*H860mm 支架Bracket	L303*W400*H860mm

QP-80W机械计米器

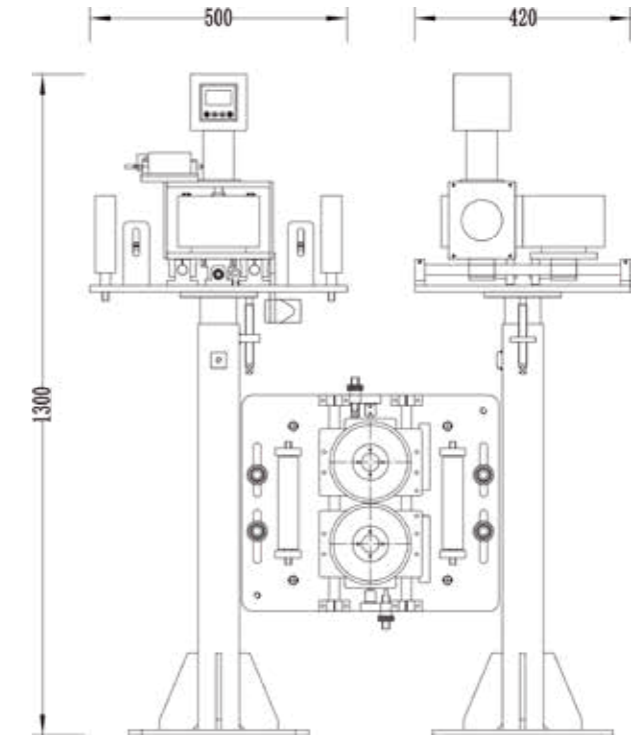
QP-80W Length Meter Counter



型号	Model	QP-80W
适用线径	Wire diameter	1mm-80mm
适用线速度	Speed	0-200M/Min
中心高度	Center height	900-1100mm(中心高度可调)(Center height adjustable)
计米轮材质	Material of meter wheel	PF/钢PF/Steel (可选聚氨酯轮) Optional polyurethane wheels
计米轮直径	Diameter of the meter wheel	φ159.16mm±0.01
计米精度	Meter accuracy	复绕2‰、绞线2‰、挤出1.5‰ Rewinding2‰、twisted wire2‰、extrusion1.5‰
可计长度	Countable length	0-9999.9M
压紧方式	Compression method	弹簧压紧/气缸开合 Spring tightening / cylinder opening and closing
产品结构	Product Structure	卧式水平压紧 Horizontal tightening
计数方式	Counting Method	接近开关感应(计米系数可调) (meter counting coefficient adjustable)
信号输出	Signal output	RS485 (可选) (Optional)
设备颜色	Device Color	5015蓝(其他可订制)5015 Blue (Other customizable options)
工作电压	Working voltage	220V AC
设备重量	Equipment weight	计米台主机47KG+支架20KG Meter counter main unit 47KG + Bracket 20KG
设备包装尺寸	Packing size	L530*W420* H300mm计米台 Meter counter main unit L350* W350* H860mm 支架 Bracket

QP-120W机械计米器

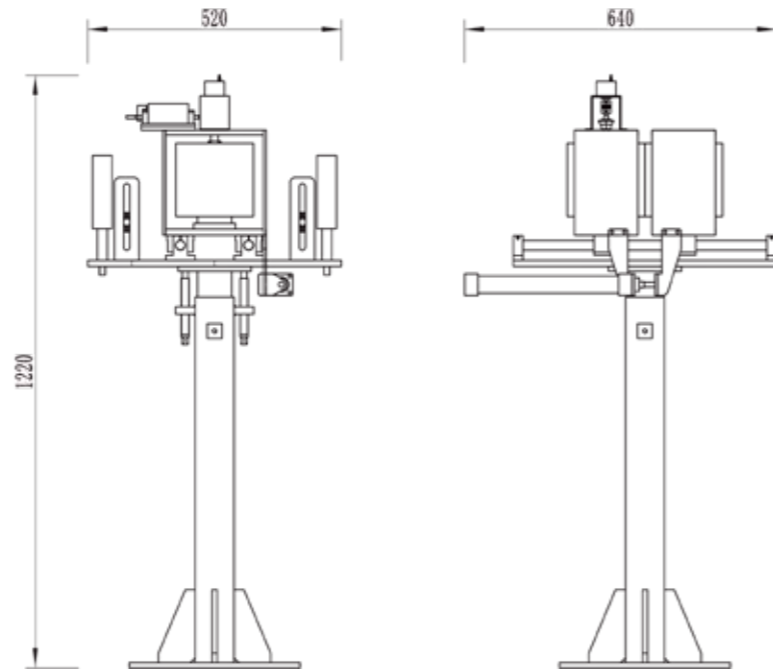
QP-120W Length Meter Counter



型号	Model	QP-120W
适用线径	Wire diameter	2mm-120mm
适用线速度	Speed	0-200M/Min
中心高度	Center height	900-1100mm(中心高度可调)(Center height adjustable)
计米轮材质	Material of meter wheel	PF/钢PF/Steel (可选聚氨酯轮) Optional polyurethane wheels
计米轮直径	Diameter of the meter wheel	φ159.16mm±0.01
计米精度	Meter accuracy	复绕2‰、绞线2‰、挤出1.5‰ Rewinding2‰、twisted wire2‰、extrusion1.5‰
可计长度	Countable length	0-9999.9M
压紧方式	Compression method	弹簧压紧/气缸开合 Spring tightening / cylinder opening and closing
产品结构	Product Structure	卧式水平压紧 Horizontal tightening
计数方式	Counting Method	接近开关感应(计米系数可调) (meter counting coefficient adjustable)
信号输出	Signal output	RS485 (可选) (Optional)
设备颜色	Device Color	5015蓝(其他可订制)5015 Blue (Other customizable options)
工作电压	Working voltage	220V AC
设备重量	Equipment weight	计米台主机50KG+支架22KG Meter counter main unit 50KG+Bracket 22KG
设备包装尺寸	Packing size	L530*W420* H300mm 计米台 Meter counter main unit L350* W350* H860mm 支架 Bracket

QP-220W机械计米器

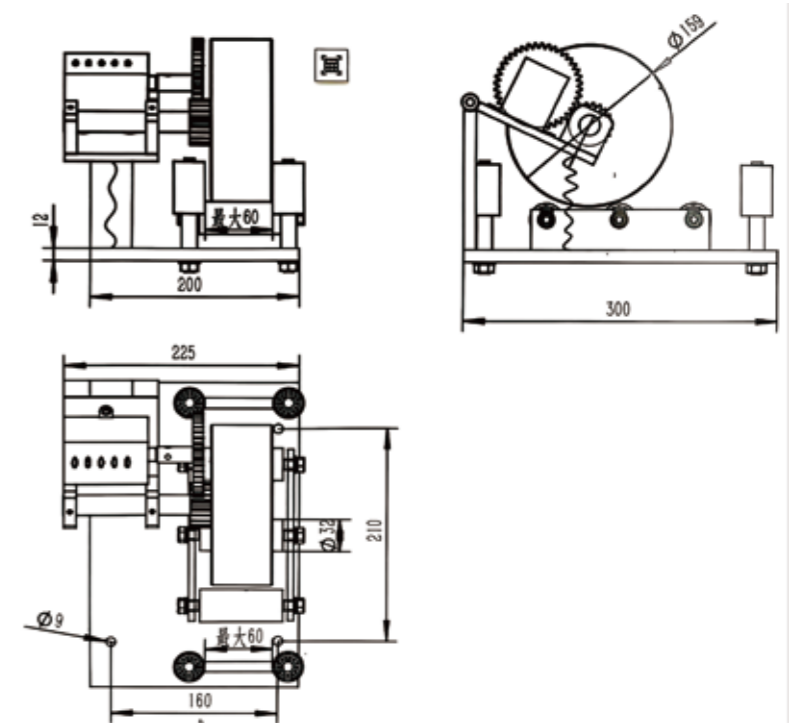
QP-220W Length Meter Counter



型号	Model	QP-220W
适用线径	Wire diameter	4mm-220mm
适用线速度	Speed	0-50M/Min
中心高度	Center height	900-1100mm(中心高度可调)(Center height adjustable)
计米轮材质	Material of meter wheel	PF/钢PF/Steel (可选聚氨酯轮) Optional polyurethane wheels
计米轮直径	Diameter of the meter wheel	计米轮周长500mm Meter wheel circumference 500mm
计米精度	Meter accuracy	复绕2‰、绞线2‰、挤出1.5‰ Rewinding2‰、twisted wire2‰、extrusion1.5‰
可计长度	Countable length	0-9999.9M
压紧方式	Compression method	弹簧压紧/气缸开合 Spring tightening / cylinder opening and closing
产品结构	Product Structure	卧式水平压紧 Horizontal tightening
计数方式	Counting Method	接近开关感应(计米系数可调) (meter counting coefficient adjustable)
信号输出	Signal output	RS485 (可选) (Optional)
设备颜色	Device Color	5015蓝(其他可订制)5015 Blue (Other customizable options)
工作电压	Working voltage	220V AC
设备重量	Equipment weight	计米台主机70KG+支架24KG Meter counter main unit 70KG+Bracket 24KG
设备包装尺寸	Packing size	L530*W420* H480mm 计米台 Meter counter main unit L350* W350* H860mm 支架 Bracket

QP-60W机械计米器

QP-60W Length Meter Counter



型号	Model	QP-60W
适用线径	Wire diameter	1mm-60mm/80mm
适用线速度	Speed	0-200M/Min
中心高度	Center height	900-1100mm(中心高度可调)(Center height adjustable)
计米轮材质	Material of meter wheel	PF/钢PF/Steel (可选聚氨酯轮) Optional polyurethane wheels
计米轮直径	Diameter of the meter wheel	φ159.16mm±0.01
计米精度	Meter accuracy	复绕2‰、绞线2‰、挤出1.5‰ Rewinding2‰、twisted wire2‰、extrusion1.5‰
可计长度	Countable length	0-9999.9M
压紧方式	Compression method	计米轮压紧 Meter wheel tightening
产品结构	Product Structure	立式压紧 Vertical tightening
计数方式	Counting Method	机械计数表 Mechanical counter
信号输出	Signal output	RS485 (可选) (Optional)
设备颜色	Device Color	5015蓝(其他可订制)5015 Blue (Other customizable options)
工作电压	Working voltage	220V AC
设备重量	Equipment weight	计米台主机23KG Meter counter main unit 23KG
设备包装尺寸	Packing size	L303*W400*H860mm

滚轮计米器系列

Roller Length Meter Counter



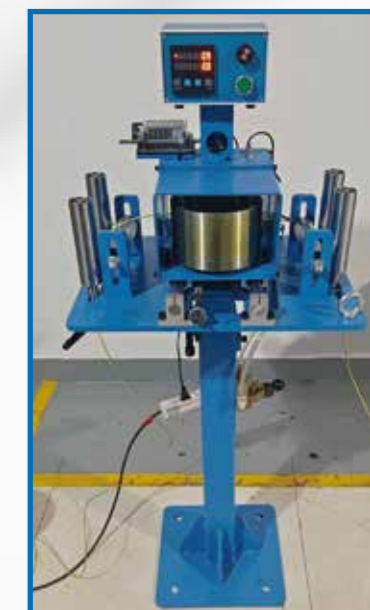
机械计米器系列

Mechanical Length Counter Series

TEL:+8617317724892

Email:suzhouqp@yeah.net

www.rollingringdrives.com



履带计米器系列

Track-type Length Counter Series

